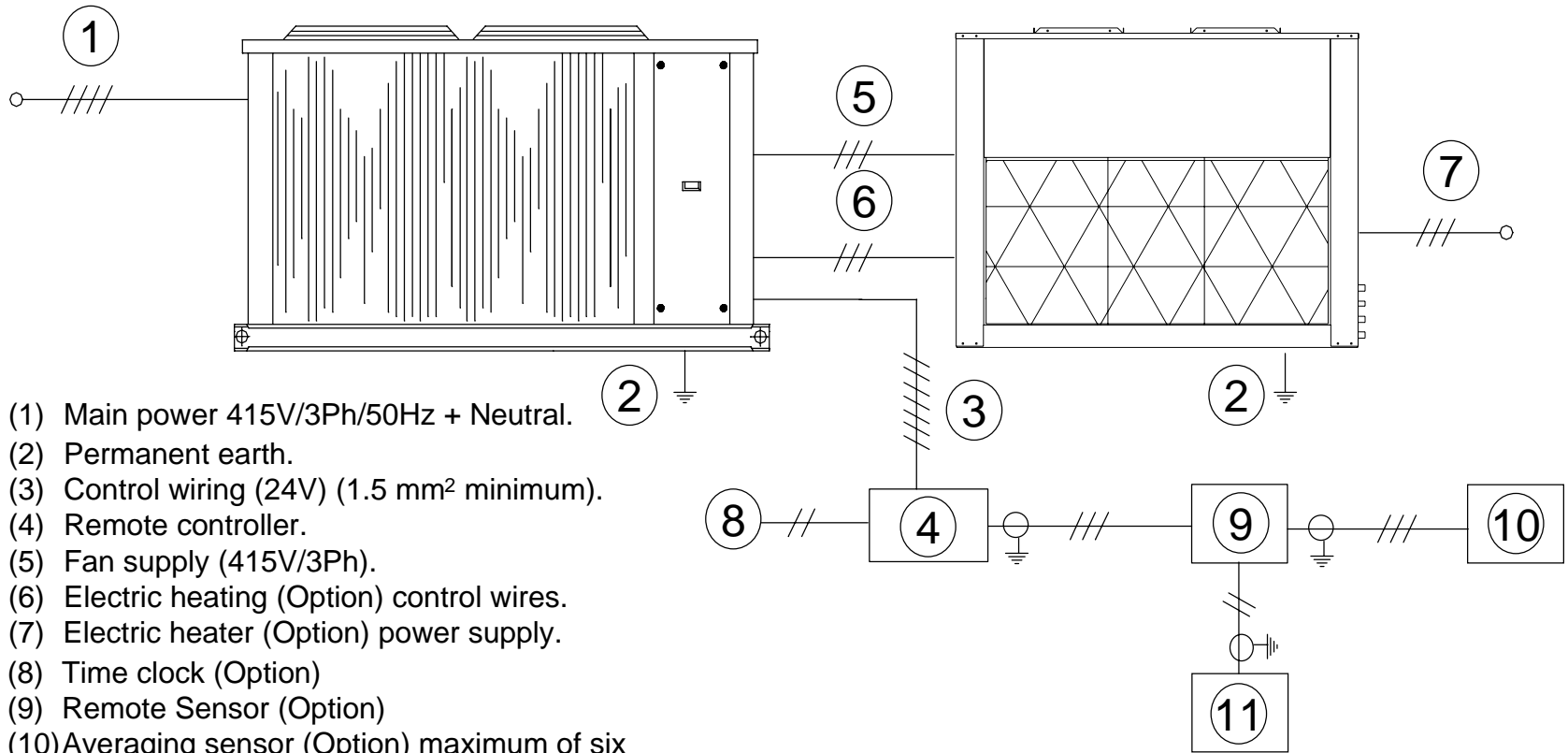


## CONDENSING/OUTDOOR UNIT      EVAPORATOR/INDOOR UNIT



- (1) Main power 415V/3Ph/50Hz + Neutral.
- (2) Permanent earth.
- (3) Control wiring (24V) (1.5 mm<sup>2</sup> minimum).
- (4) Remote controller.
- (5) Fan supply (415V/3Ph).
- (6) Electric heating (Option) control wires.
- (7) Electric heater (Option) power supply.
- (8) Time clock (Option)
- (9) Remote Sensor (Option)
- (10) Averaging sensor (Option) maximum of six
- (11) Duct sensor (Option)

Other control options available on request.

### SECTION 2A. Split Systems

Single Circuit (Cool Only & Heat Pump) - Models UXCZ/BZ-CLVZ/BZ 801 - 1501

Dual Circuit (Cool Only & Heat Pump) - Model UXCZ/BZ-CLVZ/BZ 1602